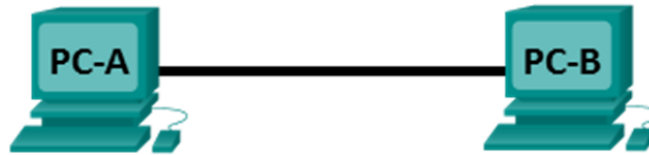


Lab - Building an Ethernet Crossover Cable

Topology



Addressing Table

Device	Interface	IP Address	Subnet Mask	Default Gateway
PC-A	NIC	192.168.10.1	255.255.255.0	N/A
PC-B	NIC	192.168.10.2	255.255.255.0	N/A

Objectives

Part 1: Analyze Ethernet Cabling Standards and Pinouts

- Analyze diagrams and tables for the TIA/EIA 568-A standard Ethernet cable.
- Analyze diagrams and tables for the TIA/EIA 568-B standard Ethernet cable.

Part 2: Build an Ethernet Crossover Cable

- Build and terminate a TIA/EIA 568-A cable end.
- Build and terminate a TIA/EIA 568-B cable end.

Part 3: Test an Ethernet Crossover Cable

- Test an Ethernet crossover cable with a cable tester.
- Connect two PCs together using an Ethernet crossover cable.

Background / Scenario

In this lab, you will build and terminate an Ethernet crossover cable and test it by connecting two PCs together and pinging between them. You will first analyze the Telecommunications Industry Association/Electronic Industries Association (TIA/EIA) 568-A and 568-B standards and how they apply to Ethernet cables. You will then construct an Ethernet crossover cable and test it. Finally, you will use the cable you just constructed to connect two PCs together and test it by pinging between them.

Note: With autosensing capabilities available on many devices, such as the Cisco 1941 Integrated Services Router (ISR) switch, you may see straight-through cables connecting like devices.

Required Resources

- One length of cable, either Category 5 or 5e. Cable length should be 0.6 to 0.9m (2 to 3 ft.)
- 2 RJ-45 connectors
- RJ-45 crimping tool
- Wire cutter
- Wire stripper

- Ethernet cable tester (optional)
- 2 PCs (Windows 7, Vista, or XP)

Part 1: Analyze Ethernet Cabling Standards and Pinouts

The TIA/EIA has specified unshielded twisted pair (UTP) cabling standards for use in LAN cabling environments. TIA/EIA 568-A and 568-B stipulates the commercial cabling standards for LAN installations; these are the standards most commonly used in LAN cabling for organizations and they determine which color wire is used on each pin.

With a crossover cable, the second and third pairs on the RJ-45 connector at one end of the cable are reversed at the other end, which reverses the send and receive pairs. The cable pinouts are the 568-A standard on one end and the 568-B standard on the other end. Crossover cables are normally used to connect hubs to hubs or switches to switches, but they can also be used to directly connect two hosts to create a simple network.

Note: With modern networking devices, a straight-through cable can often be used even when connecting like devices because of their autosensing feature. With autosensing, the interfaces detect whether the send and receive circuit pairs are correctly connected. If they are not, the interfaces reverse one end of the connection. Autosensing also alters the speed of the interfaces to match the slowest one. For example, if connecting a Gigabit Ethernet (1000 Mb/s) router interface to a Fast Ethernet (100 Mb/s) switch interface, the connection uses Fast Ethernet.

The Cisco 2960 switch has autosensing turned on, by default; therefore, connecting two 2960 switches together works with either a crossover or a straight-through cable. With some older switches, this is not the case and a crossover cable must be used.

In addition, the Cisco 1941 router Gigabit Ethernet interfaces are autosensing and a straight-through cable may be used to connect a PC directly to the router interface (bypassing the switch). With some older routers, this is not the case and a crossover cable must be used.

When directly connecting two hosts, it is generally advisable to use a crossover cable.

Step 1: Analyze diagrams and tables for the TIA/EIA 568-A standard Ethernet cable.

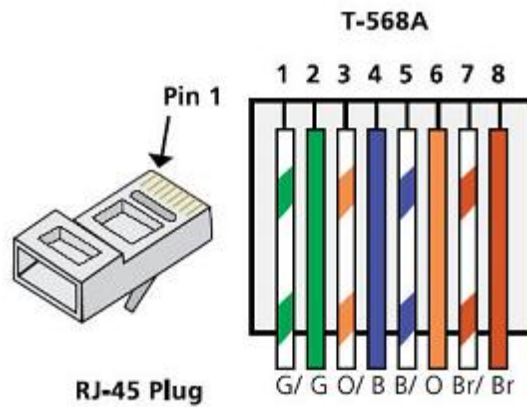
The following table and diagrams display the color scheme and pinouts, as well as the function of the four pairs of wires used for the 568-A standard.

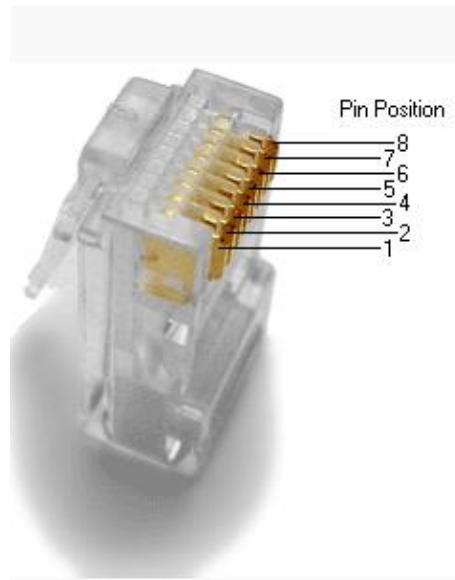
Note: In LAN installations using 100Base-T (100 Mb/s), only two pairs out of the four are used.

568-A 10/100/1000Base-TX Ethernet

Pin Number	Pair Number	Wire Color	10Base-T Signal 100Base-TX Signal	1000Base-T Signal
1	2	White/Green	Transmit	BI_DA+
2	2	Green	Transmit	BI_DA-
3	3	White/Orange	Receive	BI_DB+
4	1	Blue	Not Used	BI_DC+
5	1	White/Blue	Not Used	BI_DC-
6	3	Orange	Receive	BI_DB-
7	4	White/Brown	Not Used	BI_DD+
8	4	Brown	Not Used	BI_DD-

The following diagrams display how the wire color and pinouts align with an RJ-45 jack for the 568-A standard.



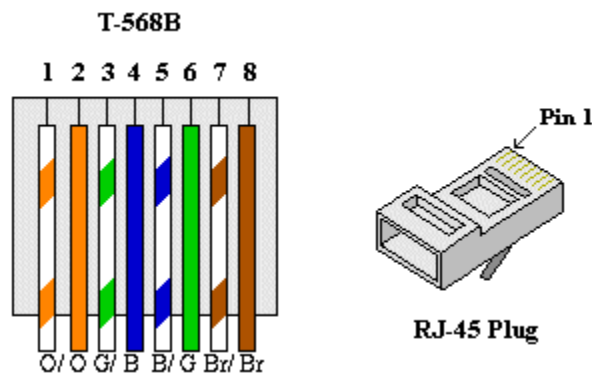


Step 2: Analyze diagrams and tables for the TIA/EIA 568-B standard Ethernet cable.

The following table and diagram display the color scheme and pinouts for the 568-B standard.

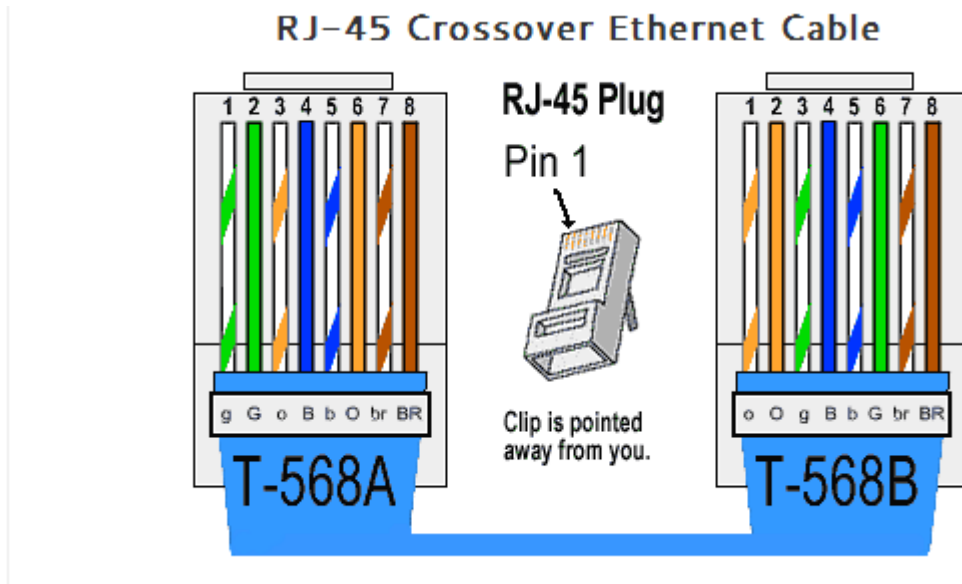
568-B 10/100/1000-BaseTX Ethernet

Pin Number	Pair Number	Wire Color	10Base-T Signal 100Base-TX Signal	1000Base-T Signal
1	2	White/Orange	Transmit	BI_DA+
2	2	Orange	Transmit	BI_DA-
3	3	White/Green	Receive	BI_DB+
4	1	Blue	Not Used	BI_DC+
5	1	White/Blue	Not Used	BI_DC-
6	3	Green	Receive	BI_DB-
7	4	White/Brown	Not Used	BI_DD+
8	4	Brown	Not Used	BI_DD-



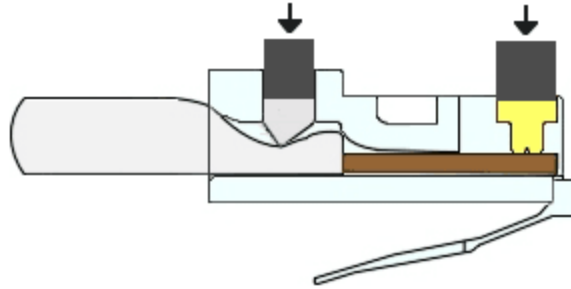
Part 2: Build an Ethernet Crossover Cable

A crossover cable has the second and third pairs on the RJ-45 connector at one end, reversed at the other end (refer to the table in Part 1, Step 2). The cable pinouts are the 568-A standard on one end and the 568-B standard on the other end. The two following diagrams illustrate this concept.



Step 1: Build and terminate a TIA/EIA 568-A cable end.

- Determine the cable length required. (Your instructor will let you know the cable length you should make.)
Note: If you were making a cable in a production environment, the general guideline is to add another 12 in. (30.48 cm) to the length.
- Cut off a piece of cable to the desired length and using your wire stripper, remove 5.08 cm (2 in.) of the cable jacket from both ends.
- Hold the four pairs of twisted cables tightly where the jacket was cut away. Reorganize the cable pairs into the order of the 568-A wiring standard. Refer to the diagrams, if necessary. Take as much care as possible to maintain the twists in the cable; this provides noise cancellation.
- Flatten, straighten, and line up the wires using your thumb and forefinger.
- Ensure that the cable wires are still in the correct order for the 568-A standard. Using your wire cutters, trim the four pairs in a straight line to within 1.25 to 1.9 cm (1/2 to 3/4 in.).
- Place an RJ-45 connector on the end of your cable, with the prong on the underside pointing downward. Firmly insert the wires into the RJ-45 connector. All wires should be seen at the end of the connector in their proper positions. If the wires are not extending to the end of the connector, take the cable out, rearrange the wires as necessary, and reinsert the wires back into the RJ-45 connector.
- If everything is correct, insert the RJ-45 connector with cable into the crimper. Crimp down hard enough to force the contacts on the RJ-45 connector through the insulation on the wires, thus completing the conducting path. See the following diagram for an example.



Step 2: Build and terminate a TIA/EIA 568-B cable end.

Repeat steps 1a to 1g using the 568-B color wiring scheme for the other end.

Part 3: Test an Ethernet Crossover Cable

Step 1: Test the cable.

Many cable testers will test for length and mapping of wires. If the cable tester has a wire map feature, it verifies which pins on one end of the cable are connected to which pins on the other end.

If your instructor has a cable tester, test the crossover cable for functionality. If it fails, check with your instructor first as to whether you should re-cable the ends and re-test.

Step 2: Connect two PCs together via NICs using your Ethernet crossover cable.

- Working with a lab partner, set your PC to one of the IP addresses shown in the Addressing Table (see page 1). For example, if your PC is **PC-A**, your IP address should be set to **192.168.10.1** with a **24-bit subnet mask**. Your partner's IP address should be **192.168.10.2**. The default gateway address can be left empty.
- Using the crossover cable you made, connect the two PCs together via their NICs.
- On the PC-A command prompt, ping the PC-B IP address.

Note: The Windows firewall may have to be temporarily disabled for pings to be successful. If the firewall is disabled, make sure you re-enable it at the conclusion of this lab.

- Repeat the process and ping from PC-B to PC-A.

Assuming IP addressing and firewall are not issues, your pings should be successful if the cables were properly made.

Reflection

- Which part of making cables did you find the most difficult?
- Why do you have to learn how to make a cable if you can easily buy pre-made cables?